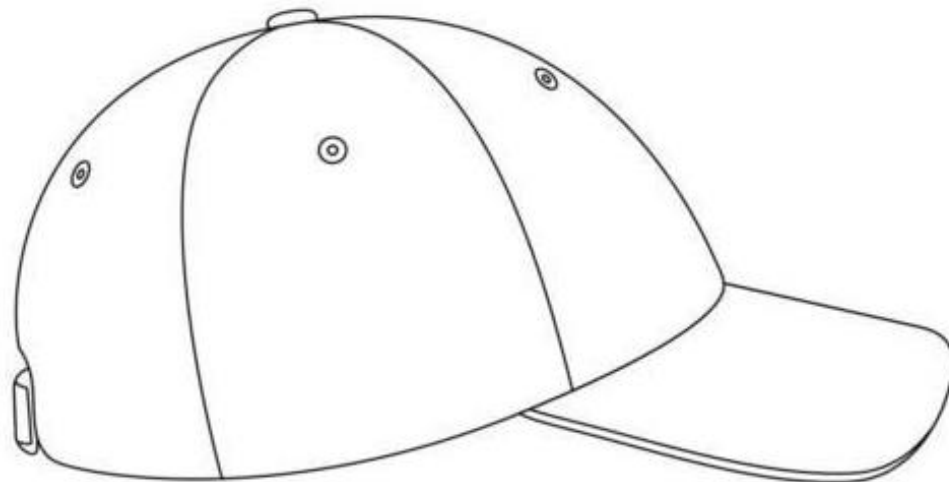
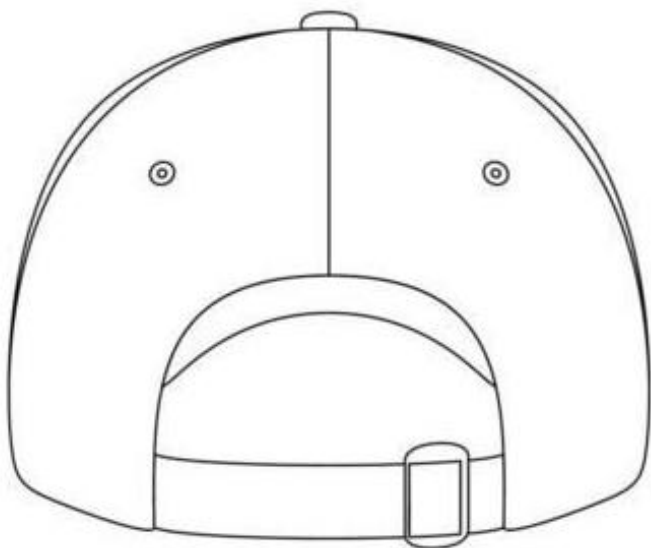
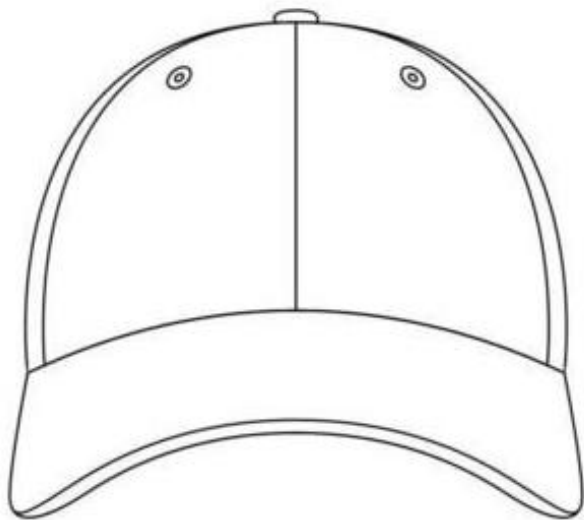


Name _____ What's On My Mind? _____



Notes: _____
